



Your Best Buy



INTEGRAL DRILL RODS



Quality steel

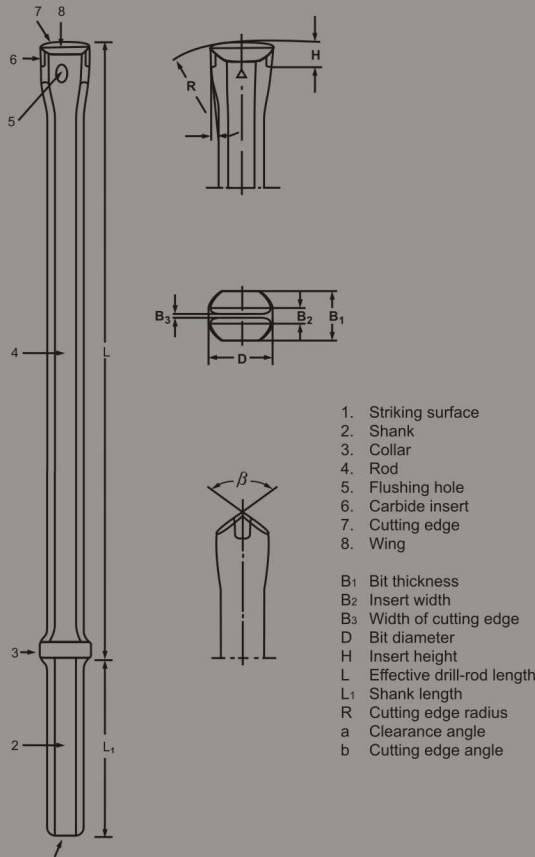
Proven shank strength

Superior fatigue resistance

corrosion protection

Hipped carbide inserts

Superior brazed joint



- 1. Striking surface
 - 2. Shank
 - 3. Collar
 - 4. Rod
 - 5. Flushing hole
 - 6. Carbide insert
 - 7. Cutting edge
 - 8. Wing
- B₁ Bit thickness
 - B₂ Insert width
 - B₃ Width of cutting edge
 - D Bit diameter
 - H Insert height
 - L Effective drill-rod length
 - L₁ Shank length
 - R Cutting edge radius
 - a Clearance angle
 - b Cutting edge angle

API Make Integral Drill Rods give extended life with the best utilisation of energy, reduced down-times & lower costs per metre drilled.

API Make Integral Drill Rods are a symbol of commitment to quality and utmost customer satisfaction.

At API Make, pioneering production methods come naturally.

NOMENCLATURE
H 22 mm.(7/8") INTEGRAL DRILL ROD
(SHANK 22 x 108 mm.)

Series	Effective length			Bit Diameter
	mm.	ft.	in.	
11	800	2	7	34
	1600	5	3	33
	2400	7	10	32
	3200	10	6	31
	4000	13	1	30
12	800	2	7	40
	1600	5	3	39
	2400	7	10	38
	3200	10	6	37
	4000	13	1	36
13	400	1	4	34
	800	2	7	33
	1200	3	11	32
	1600	5	3	31
	2000	6	6	30
16	600	2	0	35
	1200	3	11	34
	1800	5	11	33
17	600	2	0	44
	1200	3	11	40
	1800	5	11	39
	2400	7	10	38

- Tailor-made as per customer's requirement can be supplied
- Suitable for pneumatic & hydraulic rock breaker of any reputed make.